

Loud Speaker (External Magnet)

Model: LE40R-16H1.0W32N



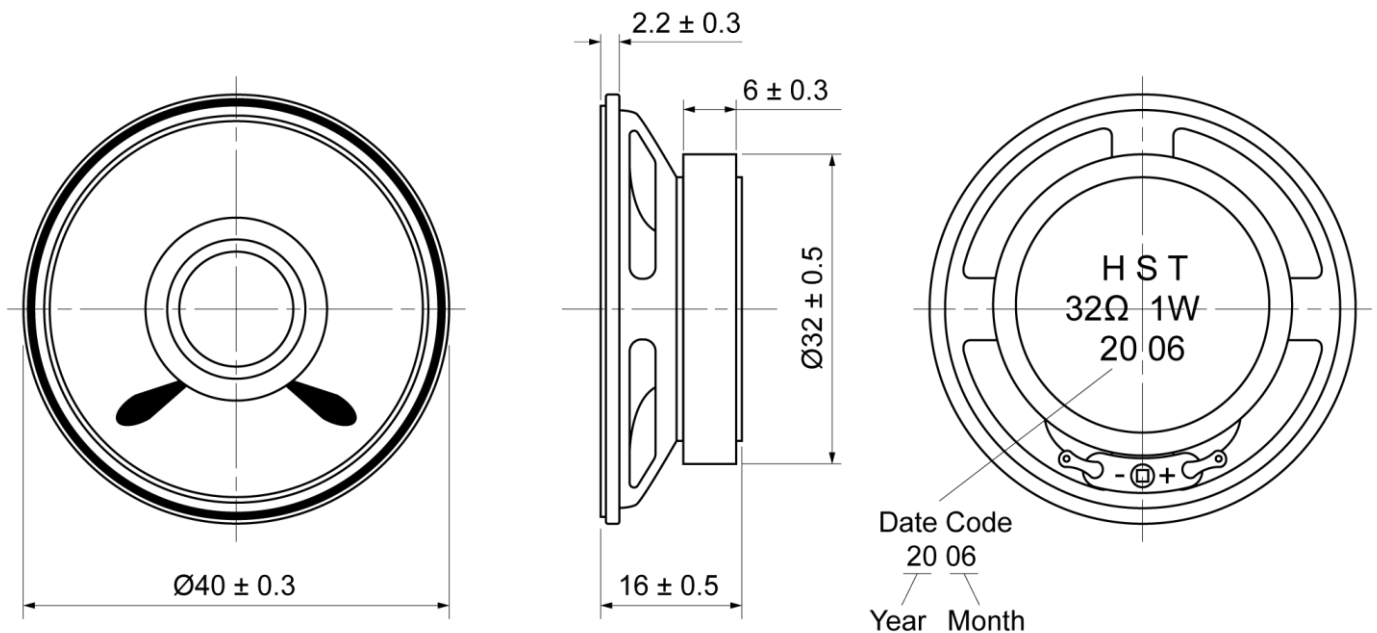
ELECTRICAL SPECIFICATIONS

	Condition	Parameter	Unit
Sound Pressure Level	at 0.1W, 0.1M [at 0.8, 1.0, 1.2, 1.5KHz]	86 ± 3	dB
Impedance	at 1V, 800Hz	32 ± 15%	Ω
Rated Input Power		1	W
Max Input Power		1.5	W
Resonant Frequency (Fo)	at 1V	750 ± 20%	Hz
Frequency Range		Fo ~ 6000	Hz
Buzzer & Rattles	not be audible at sine wave between Fo ~ 6KHz	5.65	V
Operating Temperature		-25 ~ 60	°C
Magnet		Ferrite	
Frame Material		Metal	
Cone Material		Paper	
Weight		40	g

MECHANICAL DRAWING

Dimensions in mm

Tolerance ±0.5mm Except Specified



Loud Speaker (External Magnet)

Model: LE40R-16H1.0W32N

FREQUENCY RESPONSE CURVE

